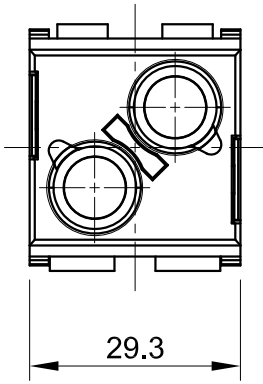
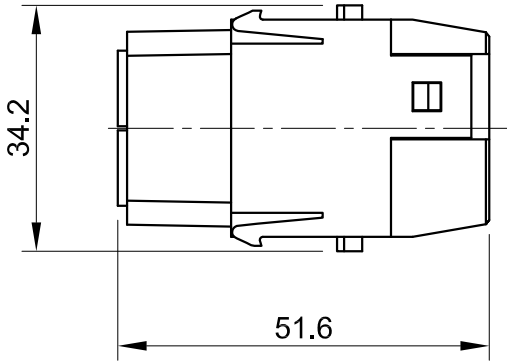
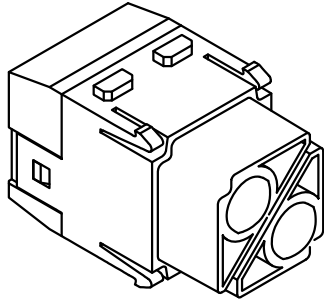








	1	2	3	4	5																			
A						A																		
B						B																		
C	<p>Technical data:</p> <ul style="list-style-type: none"> - No. of contact: 2 - Termination method: Axial screw termination - Gender: Female - Conductor cross-section: 10 ... 25 mm² - Rated current: 100A - Rated voltage: 1000V - Rated impulse voltage: 8kV - Pollution degree: 3 - Rated voltage acc.to UL: 600V - Insulation resistance: ≥10¹⁰Ω - Contact resistance: ≤0.3mΩ - Stripping length: 12 ... 14mm - Tightening torque: 6 ... 7Nm - Limiting temperature: -40 ... +125°C - Material(insert): Polycarbonate - Color(insert): RAL 7032(pebble grey) - Material(contacts): Copper alloy - Surface(contacts): Silver plated - Mating cycles: ≥500 - Material flammability class acc. to UL94: V-0 - RoHS: Compliant - Specifications: IEC61984, EN60664-1 		<p>技术数据:</p> <ul style="list-style-type: none"> - 针数: 2 - 接线方式: 轴向螺钉连接 - 公母类型: 母头 - 导体截面积: 10 ... 25 mm² - 额定电流: 100A - 额定电压: 1000V - 额定脉冲电压: 8kV - 污染等级: 3 - 额定电压符合UL: 600V - 绝缘阻抗: ≥10¹⁰Ω - 接触电阻: ≤0.3mΩ - 剥线长度: 12 ... 14mm - 拧紧力矩: 6 ... 7Nm - 极限温度: -40 ... +125°C - 材料(插芯): 聚碳酸酯 - 颜色(插芯): RAL 7032(卵石灰) - 材料(插针): 铜合金 - 表面(插针): 镀银 - 插拔次数: ≥500 - 材料阻燃性等级符合UL94: V-0 - RoHS: 符合豁免标准 - 规格: IEC61984, EN60664-1 				C																	
D			<table border="1"> <tr> <td data-bbox="1055 1347 1144 1390">  </td> <td data-bbox="1155 1347 1413 1390">All Dimensions in mm Original Size DIN A4</td> <td data-bbox="1424 1347 1637 1390">Date 2022-4-19</td> <td data-bbox="1648 1347 1861 1390">Drawing No. TC3425426</td> <td data-bbox="1872 1347 2085 1390">Rev. A00</td> <td data-bbox="2096 1347 2175 1390">Scale 1:1</td> </tr> <tr> <td colspan="2" data-bbox="1055 1414 1413 1485">  </td> <td data-bbox="1424 1406 1637 1453">Part No. 10 38 002 1200</td> <td data-bbox="1648 1406 1861 1453">Created by Shuxu Huang</td> <td data-bbox="1872 1406 2085 1453">Checked by Yiyi Luo</td> <td data-bbox="2096 1406 2175 1453">Page 1/1</td> </tr> <tr> <td colspan="6" data-bbox="994 1461 2186 1517"> Type Name I2M100-002.1-F InKonn (Suzhou) Electric Technology Co.,Ltd. </td> </tr> </table>				All Dimensions in mm Original Size DIN A4	Date 2022-4-19	Drawing No. TC3425426	Rev. A00	Scale 1:1			Part No. 10 38 002 1200	Created by Shuxu Huang	Checked by Yiyi Luo	Page 1/1	Type Name I2M100-002.1-F InKonn (Suzhou) Electric Technology Co.,Ltd.						D
	All Dimensions in mm Original Size DIN A4	Date 2022-4-19	Drawing No. TC3425426	Rev. A00	Scale 1:1																			
		Part No. 10 38 002 1200	Created by Shuxu Huang	Checked by Yiyi Luo	Page 1/1																			
Type Name I2M100-002.1-F InKonn (Suzhou) Electric Technology Co.,Ltd.																								
	1	2	3	4	5																			